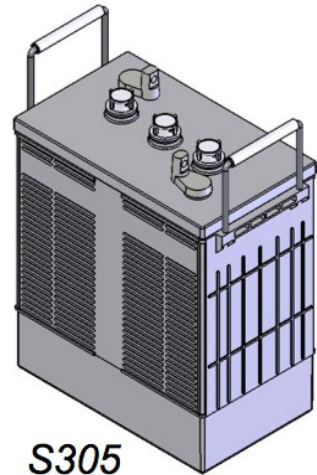
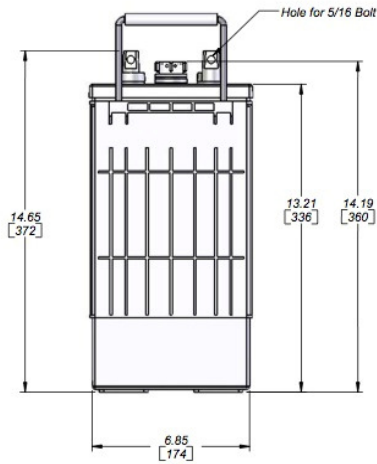
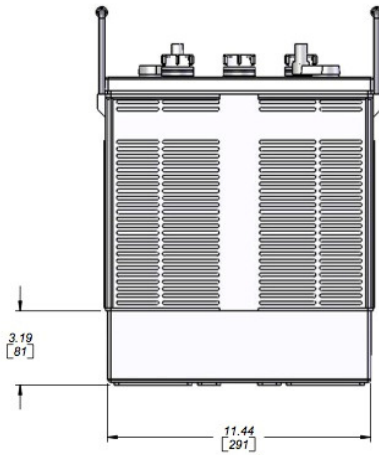
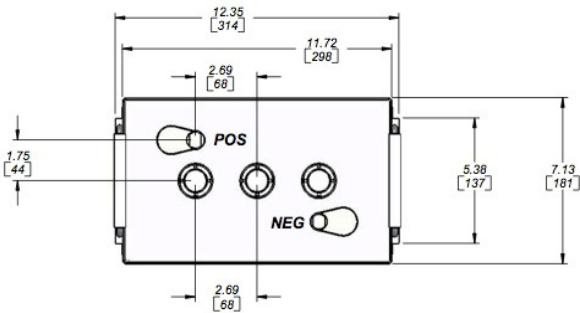


# Battery Data Sheet - S-305

#####

BATTERY	COMMERCIAL	5 HOUR	20 HOUR	RESERVE	RESERVE	WEIGHT	TERMINAL	LENGTH	WIDTH	HEIGHT
GROUP TYPE	PART	RATE	RATE	at 25 Amps	at 75 amps	KG	TYPE			
<b>6V</b>										
902	S-305	270	330	760	195	42.8	UT	314	181	373



S305