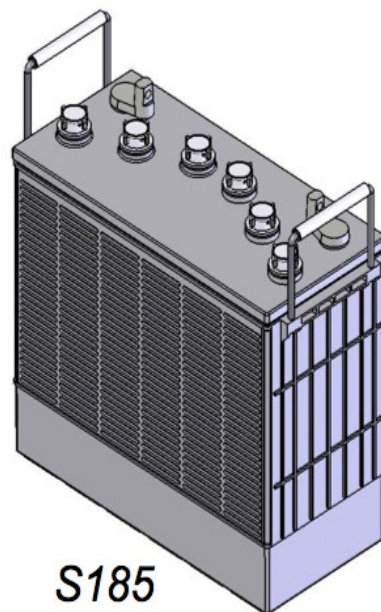
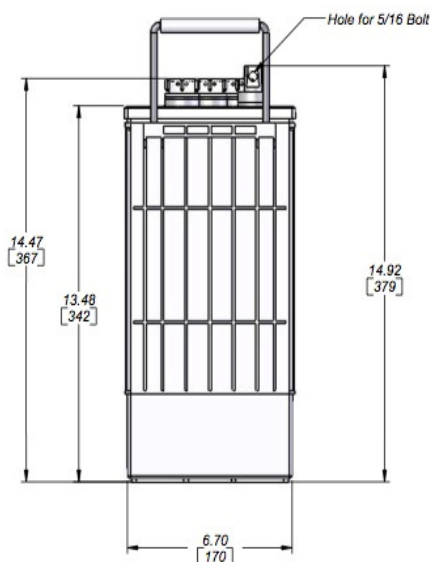
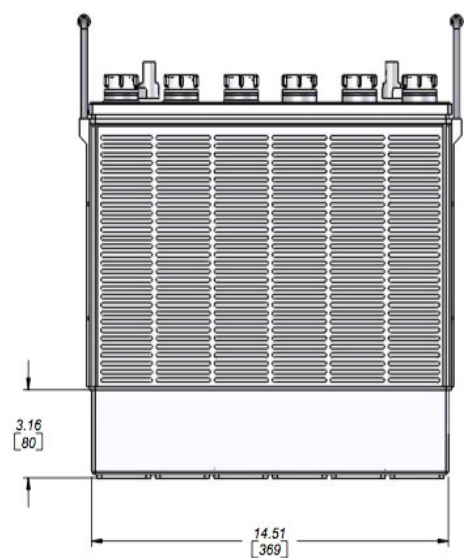
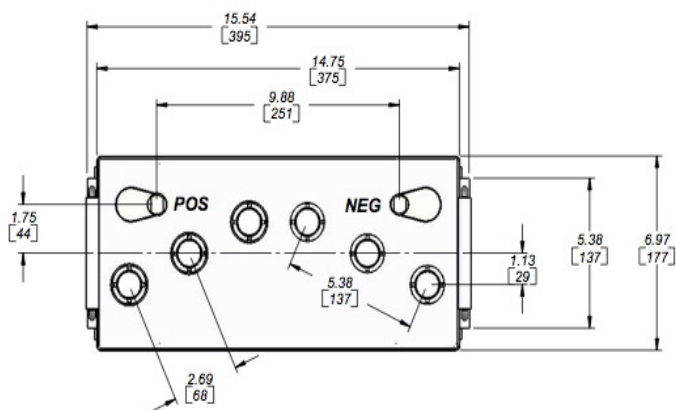


Battery Data Sheet - S-185

#####

BATTERY	COMMERCIAL	5 HOUR	20 HOUR	RESERVE	RESERVE	WEIGHT	TERMINAL	LENGTH	WIDTH	HEIGHT
GROUP TYPE	PART	RATE	RATE	at 25 Amps	at 75 amps	KG	TYPE			
12V										
921	S-185	165	200	420	105	52,4	UT	395	177	379



S185