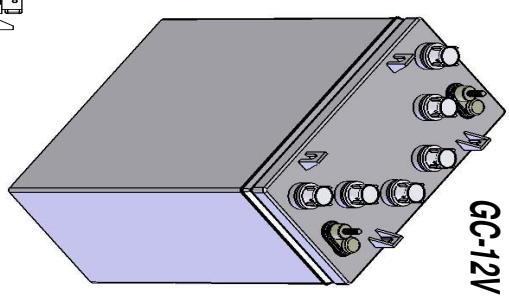
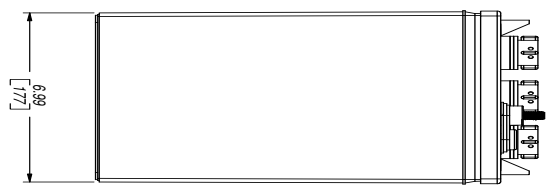
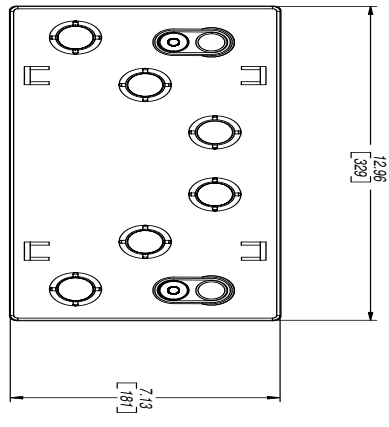
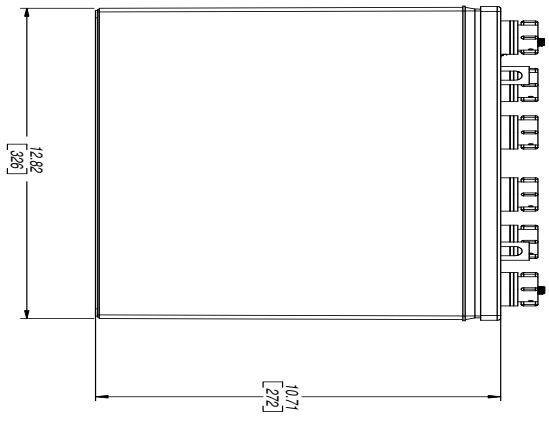


# Battery Data Sheet - GC-1275

May-15

BATTERY	COMMERCIAL	5 HOUR	RESERVE	RESERVE	WEIGHT	TERMINAL	LENGTH	WIDTH	HEIGHT
GROUP TYPE	PART	RATE	at 25 Amps	at 56 amps	KG	TYPE	(MM)	(MM)	(MM)
8V									
GC12V	GC-1275	120	280	102	37,0	LPT	327	181	276



GC-12V